

TROUBLESHOOTING

INSUFFICIENT POWER:

Probable Cause	Solution
Dirty or clogged air passages.....	Flush and lubricate tool, drain air tank and supply line.
Insufficient air supply.....	Increase line pressure, Make sure compressor matches tool's air pressure and consumption needs.
Air leakage.....	Use PTFE tape at all fittings and joints. Check tool for worn or damaged O-rings & seals.
Worn/damaged wear & tear parts...	Replace as necessary.
Tool matching.....	Be sure you are using a tool suited for the torque requirements of the job at hand.

JAWS SLIPPING:

Probable Cause	Solution
Worn or damaged jaws.....	Replace jaws.

JAWS WILL NOT OPEN:

Probable Cause	Solution
Loose nosepiece.....	Tighten nosepiece.
Dirty jaws.....	Clean jaws.

STROKE IS TOO SHORT:

Probable Cause	Solution
Rivet pin inserted incorrectly.....	Fully insert pin.
Low oil.....	Prime riveter
Rivet wrong size.....	Use proper rivet length

LIMITED WARRANTY

PERFORMANCE TOOL® extends only the following warranties, and only to original retail purchasers. These warranties give specific legal rights. Except where prohibited by local law, the law of the State of Washington governs all warranties and all exclusions and limitations of warranties and remedies. There may be other rights which vary from state to state.

PERFORMANCE TOOL® warrants the product to be free from defects in materials and workmanship under normal use and service. A defective product may be returned for a free replacement within 90 days from the date of purchase, provided that product is returned to place of purchase immediately after discovery of defect. After 90 days and up to one year from date of purchase, PERFORMANCE TOOL® will replace at no charge any parts which our examination shall disclose to be defective and under warranty. These warranties shall be valid only when a sales receipt showing the date of purchase accompanies the defective product or defective part (s) being returned. For part (s) after 90 days, please remit your request, postage prepaid to:

PERFORMANCE TOOL, P.O. Box 88259 Tukwila, WA 98138

These warranties exclude blades, bits, punches, dies, bulbs, fuses, hoses, and other consumables which must be replaced under normal use and service. These warranties shall not apply to any product or part which is used for a purpose for which it is not designed, or which has been repaired or altered in any way so as to affect adversely its performance or reliability, nor shall these warranties apply to any product or part which has been subject to misuse, neglect, accident or wear and tear incident to normal use and service.

PERFORMANCE TOOL® does not authorize any other person to make any warranty or to assume any liability in connection with its products.

Except for warranties of title and the limited express warranties set forth above, PERFORMANCE TOOL® makes no express or implied warranties of any kind with respect to its products. In particular, PERFORMANCE TOOL® makes no implied warranty of merchantability and no implied warranty of fitness for any particular purpose, except that for goods purchased primarily for personal, family or household use and not for commercial or business use, PERFORMANCE TOOL® makes an implied warranty of merchantability (and, if otherwise applicable, an implied warranty of fitness for a particular purpose), but only for the particular qualities or characteristics, and for the duration, expressly warranted above.

The laws on limitation of implied warranties may differ from state to state, so the above limitations may not apply in all cases.

PERFORMANCE TOOL® shall not be liable for consequential, incidental or special damages resulting from or in any manner related to any product, or to the design, use, or any inability to use the product. The sole and exclusive remedy for a defective product or part shall be the repair, or replacement thereof as provided above. The laws on limitation of remedies or on consequential, incidental or special damages may vary from state to state, so the above limitations may not apply in all cases.

P.O. Box 88259 Tukwila, WA 98138 • 1-800-497-0552 • www.wilmarcorp.com • Made in China • © Copyright 2010



3/16" AIR RIVETER

Stock Number M680

OWNER'S MANUAL

SPECIFICATIONS:

Max capacity (IN).....	3/16
Pounds of pull.....	1,584
Air pressure (P.S.I.).....	90
Average air consumption (C.F.M.).....	.4
Air inlet (N.P.T.).....	1/4
Hose size (I.D.).....	3/8 in.
Length (IN.).....	10-5/8
Weight (LBS.).....	3.33

Specifications are subject to change without notice.

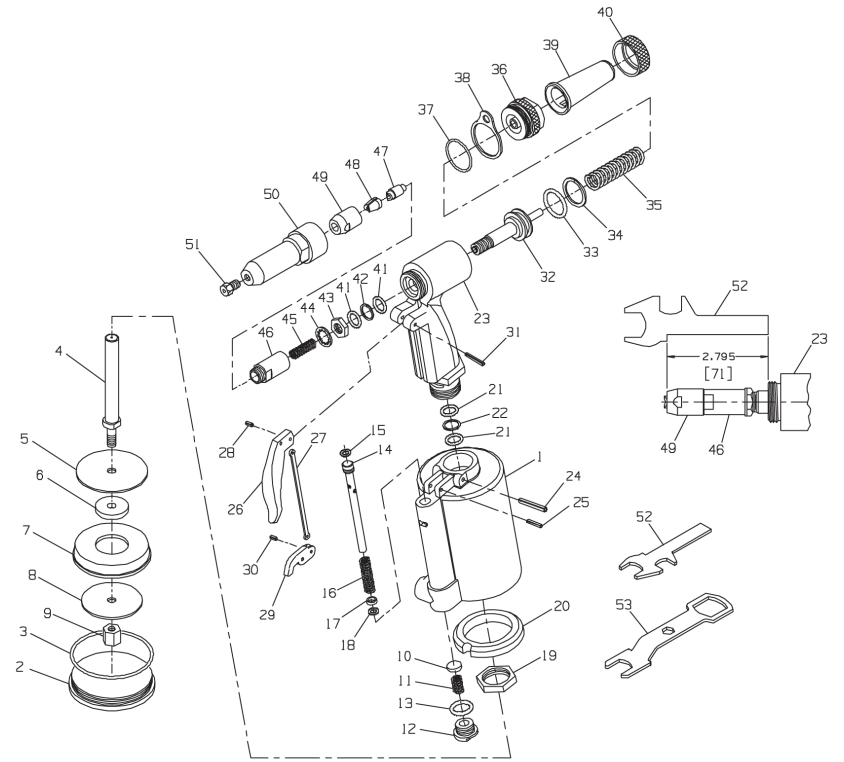


WARNING!

READ, UNDERSTAND AND FOLLOW ALL INSTRUCTIONS AND WARNINGS BEFORE OPERATING THIS TOOL. FAILURE TO DO SO MAY RESULT IN PERSONAL INJURY AND/OR PROPERTY DAMAGE AND WILL VOID WARRANTY.



PARTS LIST



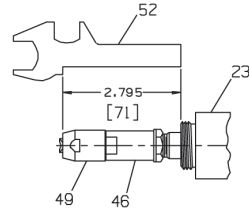
#	Description	Qty.	#	Description	Qty.	#	Description	Qty.
1	Air Cylinder	1	19	Frame Lock Nut	2	37	Frame Cap O-Ring	1
2	Cylinder Cap	1	20	Rubber Cushion	1	38	Hanging Clip	1
3	O-Ring	1	21	Back-Up O-Ring	5	39	Safety Cap	1
4	Air Piston Stem	1	22	Back-Up Ring	1	40	Frame Cap Nut	2
5	Plate (Large)	2	23	Frame	1	41	Back-Up O-Ring	3
6	Piston	1	24	Set Pin	1	42	Back-Up Ring	4
7	Air Piston Ring	1	25	Lever Pin	1	43	Case Lock Nut	5
8	Plate (Small)	1	26	Trigger	1	44	Case Washer Ring	6
9	Nut	1	27	Trigger Rod	1	45	Jaw Pusher Spring	1
10	Valve	1	28	Trigger Pin	1	46	Jaw Case End Tart	1
11	Spring	1	29	Trigger Lever	1	47	Jaw Pusher	1
12	Valve Cap	1	30	Connecting Pin	1	48	Jaw	1
13	O-Ring	1	31	Connecting Pin	4	49	Jaw Case Front Tart	1
14	Valve Pusher	2	32	Oil Piston	4	50	Frame Head	1
15	Valve Pusher O-Ring	1	33	Oil Piston O-Ring	2	51	Nosepiece (3/32, 1/8, 5/32 & 3/16)	4
16	Valve Spring	1	34	Back-Up Ring	1	52	Spanner Gauge	1
17	Valve Collar	1	35	Return Spring	1	53	Spanner	1
18	Collar O-Ring	1	36	Frame Cap	1			

INSPECTION, MAINTENANCE & CLEANING

WARNING! Wear ANSI-approved safety impact goggles when performing any inspection, maintenance, or cleaning procedures.

WARNING! Prior to performing any inspection, maintenance, or cleaning of the Riveter, make sure to disconnect the air hose from the tool. Then, squeeze the Trigger (40) again to release any compressed air in the Riveter.

- To clean the exterior of the Riveter use a clean, damp cloth using a mild detergent or mild solvent. Do not immerse the tool in liquids.
- To clean and change the Jaws:
 - Unscrew and remove the Frame Head using the Spanner.
 - Use the Spanner to unscrew and remove the Jaw Cases. Use care as there is a Spring behind the Jaw Case which may fly out.
 - Remove the Jaws from between the Jaw Cases.
 - If you are going to clean the Jaws, use a steel brush and mild solvent. Then apply a light coat of machine oil to the Jaws. If you are going to replace the Jaws, the entire assembly must be replaced at the same time due to the possibility of additional parts being damaged when the Jaws were damaged.
 - Insert the Jaws back into the Jaw Cases.
 - When reassembling the Jaw Cases, make sure the wedge on the Jaw Pusher's head lines up in between the Jaws, pushing them slightly apart.
 - Check the distance from the head of the Jaw Cases to the mounting threads of the Frame Head using the gauge on the Spanner. With the gauge at a slight incline, the back of the gauge should rest on the beginning of the Frame Head threads, while the front of the gauge should rest on the front edge of the Jaw Case. If it does not, tighten/loosen the Jaw Cases until the distance is corrected. (See below.)
 - Before reassembly, secure the Lock Nut against the Jaw Case assembly using the Spanner Gauge.



ADDING OIL TO HYDRAULIC RIVETER

- Disconnect air hose.
- Use the spanner to take apart the head.
- Use the spanner to open the bottom cover.
- Remove the piston of the cylinder.
- Clean the inside of the cylinder and the frame body.
- Lubricate all moving parts.
- Clean the stem of piston, apply grease to the inner wall of cylinder and the inner wall of cylinder and the O-ring.
- Reassemble the riveter by following the disassembly procedure in reverse.

IMPORTANT SAFETY INFORMATION

- Be sure air is in "OFF" position when connecting tool to air supply.
- Always wear approved eye protection when using air tools. If raising dust, wear a suitable mask.

WARNING: Some dust created by power sanding, sawing, grinding, drilling, and other construction activities, contain chemicals known [to the State of California] to cause cancer, birth defects or other reproductive harm. Some examples of these chemicals are:

- Lead from lead-based paints;
- Crystalline silica from bricks and cement or other masonry products;
- Arsenic and chromium from chemically treated lumber.

Your risk from these exposures varies, depending on how often you do this type of work. To reduce your exposure to these chemicals: work in a well ventilated area, and work with approved safety equipment, such as those dust masks that are specially designed to filter out microscopic particles.

- Use only those accessories that are designed for use with air tools. For example, with impact wrenches do not use ordinary sockets. Use impact sockets for all- air tools.
- Be sure to disconnect tool from air supply before changing accessories, performing service on tool and when not in use.
- As with any tool, use common sense when operating. Do not wear loose clothing or jewelry that could become caught by moving parts, causing injury. Operate tool a safe distance from yourself and others in the work area.
- To ensure long life of the air tool be sure to oil the tool daily before using. See below for instructions.
- Follow air source manufacturers directions for connection of regulators, filters, and other accessories to air source. Do not install quick couplers directly on tool as they put unnecessary strain on the air inlet threads possibly causing them to wear out prematurely. Instead, install them on a short length of air hose attached to the tool.
- Do not overreach. Keep proper footing and balance at all times. Do not reach over or across running tools or air hoses.
- Disconnect air hose and release any built-up air pressure. Do not service the tool or disassemble it with the air hose attached. Verify that there is no residual air pressure even after disconnecting hose. Disconnect the Riveter when not in use.
- Stay alert. Watch what you are doing. Use common sense. Do not operate any tool when you are tired.
- Check for damaged parts. Before using any tool, any part that appears damaged should be carefully checked to determine that it will operate properly and perform its intended function. Check for alignment and binding of moving parts, any broken parts, and any other condition that may affect proper operation. Any part that is damaged should be properly repaired or replaced by a qualified technician. Do not use the tool if the Trigger does not operate properly.
- Do not operate tool if under the influence of alcohol or drugs.
- Do not use combustible gas as a power source.
- Avoid working alone. If an accident happens, an assistant can bring help.

WARNING! The warnings, cautions, and instructions discussed in this instruction manual cannot cover all possible conditions and situations that may occur. It must be understood by the operator that common sense and caution are factors which cannot be built into this product, but must be supplied by the operator.

SPECIFIC SAFETY INFORMATION

1. Check that adjusting wrenches are removed from the tool and work surface before attaching to an air source.
2. Avoid unintentional starting. Be sure the Trigger is in the OFF position when not in use. Do not carry any tool with your finger on the Trigger, whether it is attached to an air source or not. Do not point the tool towards yourself or anyone.
3. Fire the Rivets into an appropriate work surface only. This Riveter is designed for use on metal objects only and is not suitable for soft surfaces.
4. Do not fire the Rivets too close to the edge of a workpiece. They may split the workpiece and cause it to fly free, causing personal injury.
5. Transport the Riveter safely. Disconnect the air supply when moving the tool in the workplace. Carry the tool by the handle and avoid contact with the Trigger.
6. Attach the Safety Cap to the Riveter before use. Turn the slot in the Safety Cap upward to avoid spilling used Rivet Pins.

AIR SOURCE

Clean air of correct air pressure is recommended for the power supply for this tool. A maximum of 90 PSI at the tool is recommended for most air tools of this class. Check specifications section for recommended pressure. (Depending on length of air hose and other circumstances, air pressure at compressor may need to be increased to 100 PSI to ensure 90 PSI at the tool.)

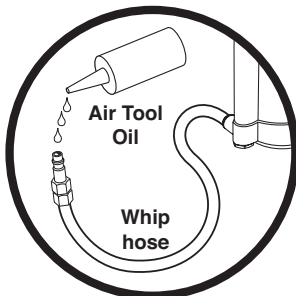
Water in the air hose and compressor tank contributes to reduced performance and damage of the air tool. Drain the air tank and filters before each use and as necessary to keep the air supply dry.

Hose length over 25' causes loss in line pressure. Increase hose I.D. or increase compressor pressure to compensate for the pressure loss. Use an in-line pressure regulator with gauge if air inlet pressure is critical.

LUBRICATION

Oil tool before each use. 4 to 5 drops of a good grade Air Tool Oil placed in the air inlet is sufficient. Use proper air pressure and CFM rating listed for this tool.

Drain water from hoses and compressor tank. Water in the air supply line will cause gumming and loss of power. Clean the air filter on the supply line and flush the tool with gum solvent or a 50/50 mix of air tool oil and kerosene. It may be necessary to disassemble the tool to properly clean and re-lubricate.



Yes



No

OPERATION

1. Secure the Safety Cap firmly to the Riveter by tightening the Frame Cap Nut. While securing turn the slot in the Safety Cap upward to avoid spilling used rivet pins.
2. Depending on the size of rivet's pin used, attach the corresponding Nosepiece size (3/16", 5/32", 1/8", or 3/32") with the Spanner.

NOTE: When drilling rivet holes in a workpiece, use the same diameter drill bit as the outer diameter of rivet you will be using.

3. Attach an air hose to the Quick Connector of the Riveter, and turn on the air compressor with its regulator set at 90 PSI. Do not exceed 90 PSI.

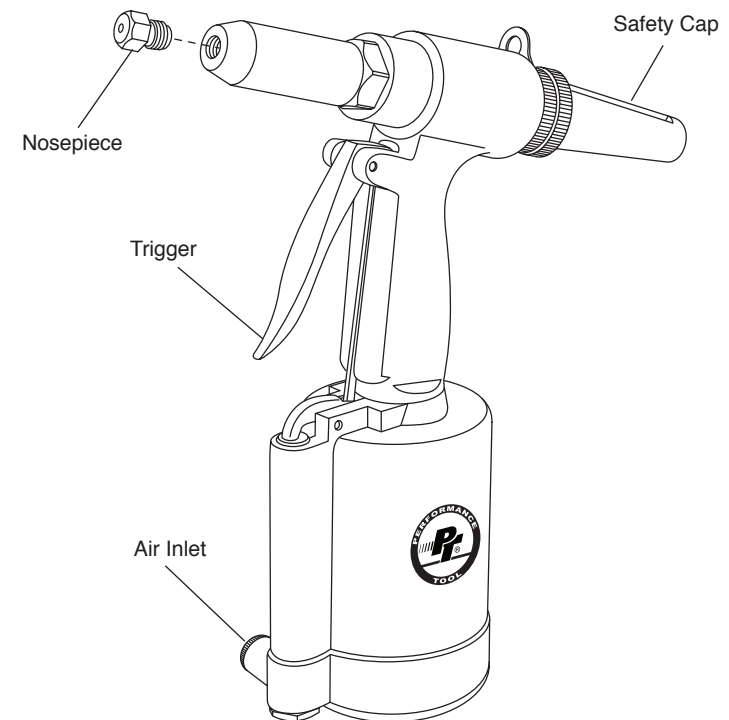
4. Insert the small end of a rivet fully through the Nosepiece.

CAUTION! Keep clear of the trigger when inserting rivets.

5. Insert the rivet through the predrilled hole in the workpiece.

6. Hold the Riveter firmly with both hands, and squeeze the Trigger to activate the Riveter. Repeat as necessary. Then, release pressure on the Trigger.

7. When finished using the Riveter, turn off the air compressor. Squeeze the Trigger again to release any compressed air in the Riveter. Disconnect the air hose from the tool. Then, store the Riveter in a clean, dry, safe location out of reach of children.



CHANGING NOSEPIECES

When changing Nosepieces, use the spanner to unscrew the Nosepiece, and tightly screw in the desired Nosepiece.